

6 Tonne, Electric Release 2 Post Lift

VGE-T60EX

Safety Features



① Top beam design



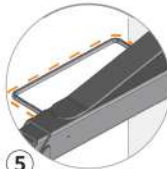
② Height limit



③ Car door protection



④ Arm lock engaged automatically



⑤ Foot Protection Device



Dual hydraulic cylinders



Safety valve for anti-explosion of hydraulic system



Synchronization cables



Chain protector



Easy access grease nipple design



Dust protection nipple design



FEATURES

- 6 Tonne Dual Hydraulic cylinders
- Electric lock release
- Clear floor
- Anti-explosion safety valve
- Synchronization cables
- Chain protector
- Easy access grease nipple design
- Suitable for Car, 4x4 & LCV
- 24 Months Warranty*

* Subject to Terms & Conditions

6 Tonne, Electric Release 2 Post Lift

VGE-T60EX

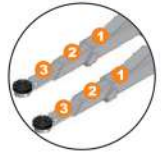
Standard Features



Aluminum motor

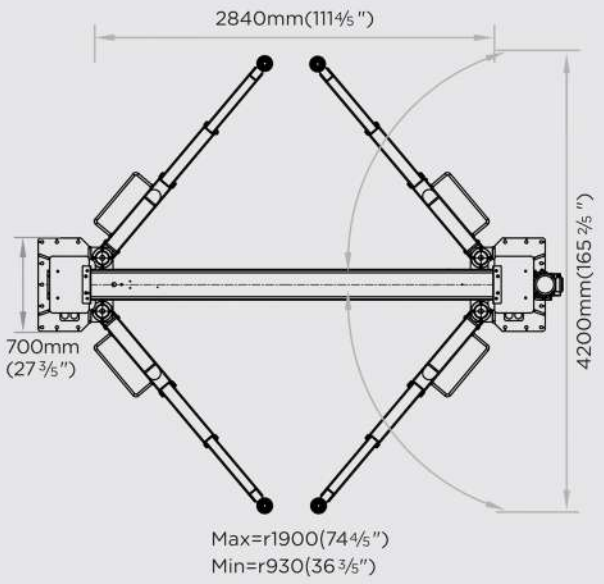
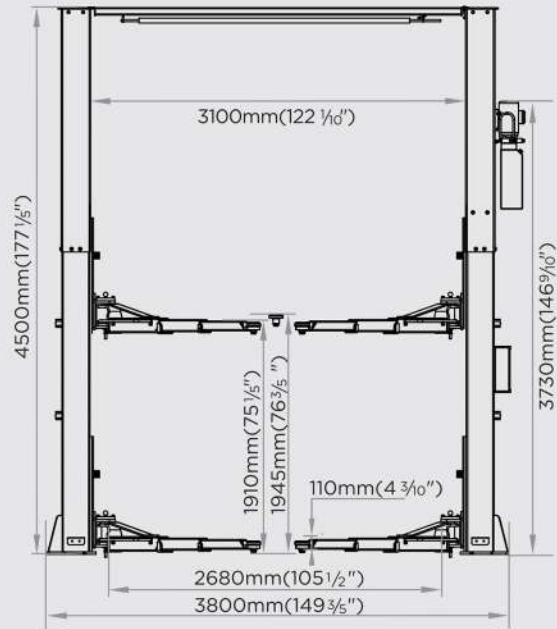


Adjustable lifting pad to two(2) heights



Three stage arms

DIMENSION



TECHNICAL DATA

Lifting Capacity	6,000 Kg
Symmetric Arms	930-1900mm F&R
Drive Through Width	2,680mm
Overall Height	4,500mm
Overall Width	3,800mm
Lifting Height (Max)	1,945mm
Pad Height (Min)	110mm
Pad Height (Max)	145mm
Motor Power	220V / 50Hz / 1Ph / 3KW