

1.0 Tonne Vehicle Battery Lifting Table

VT-U-DP4B



Safety valve for anti-explosion of hydraulic system



Drive-by-wire button

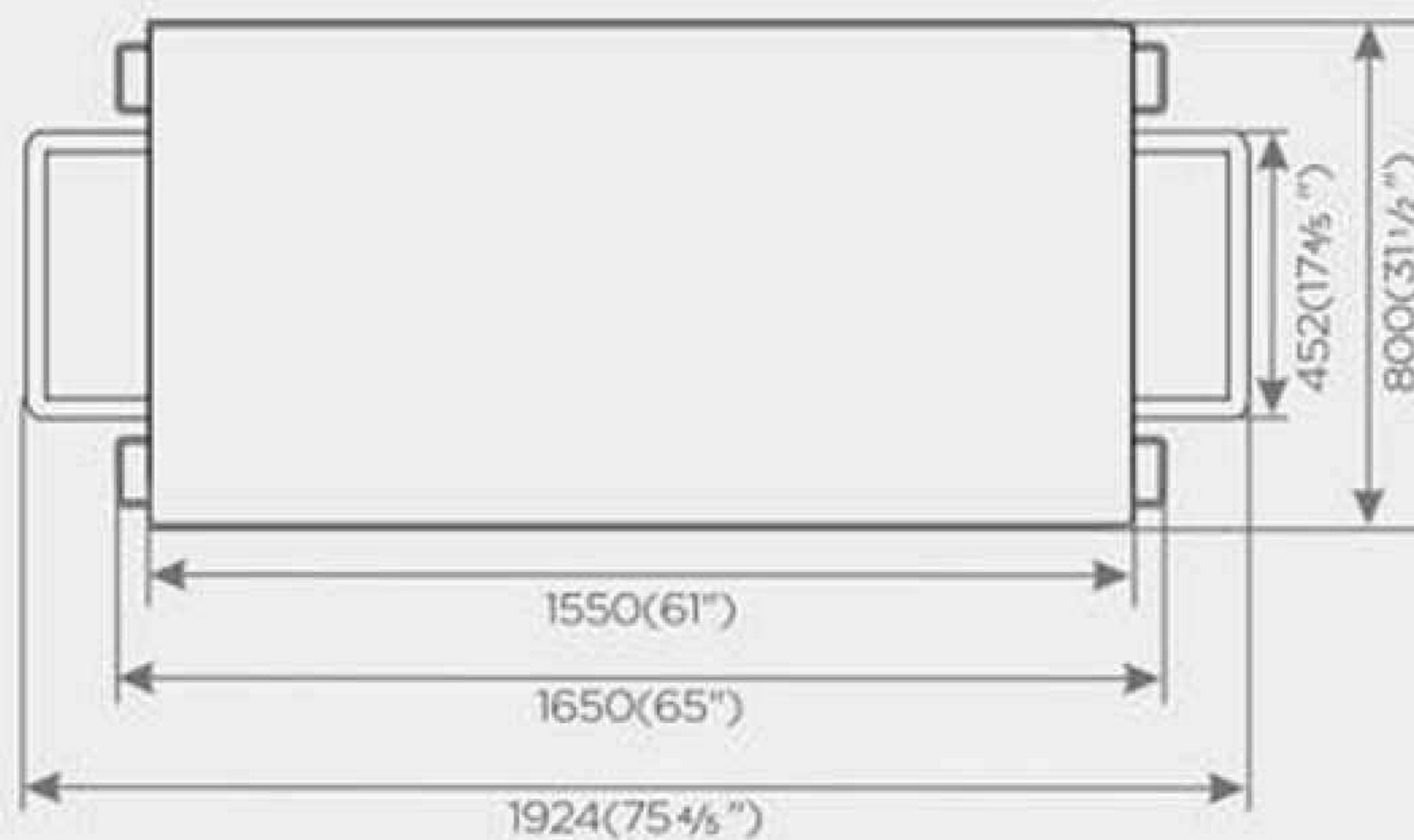
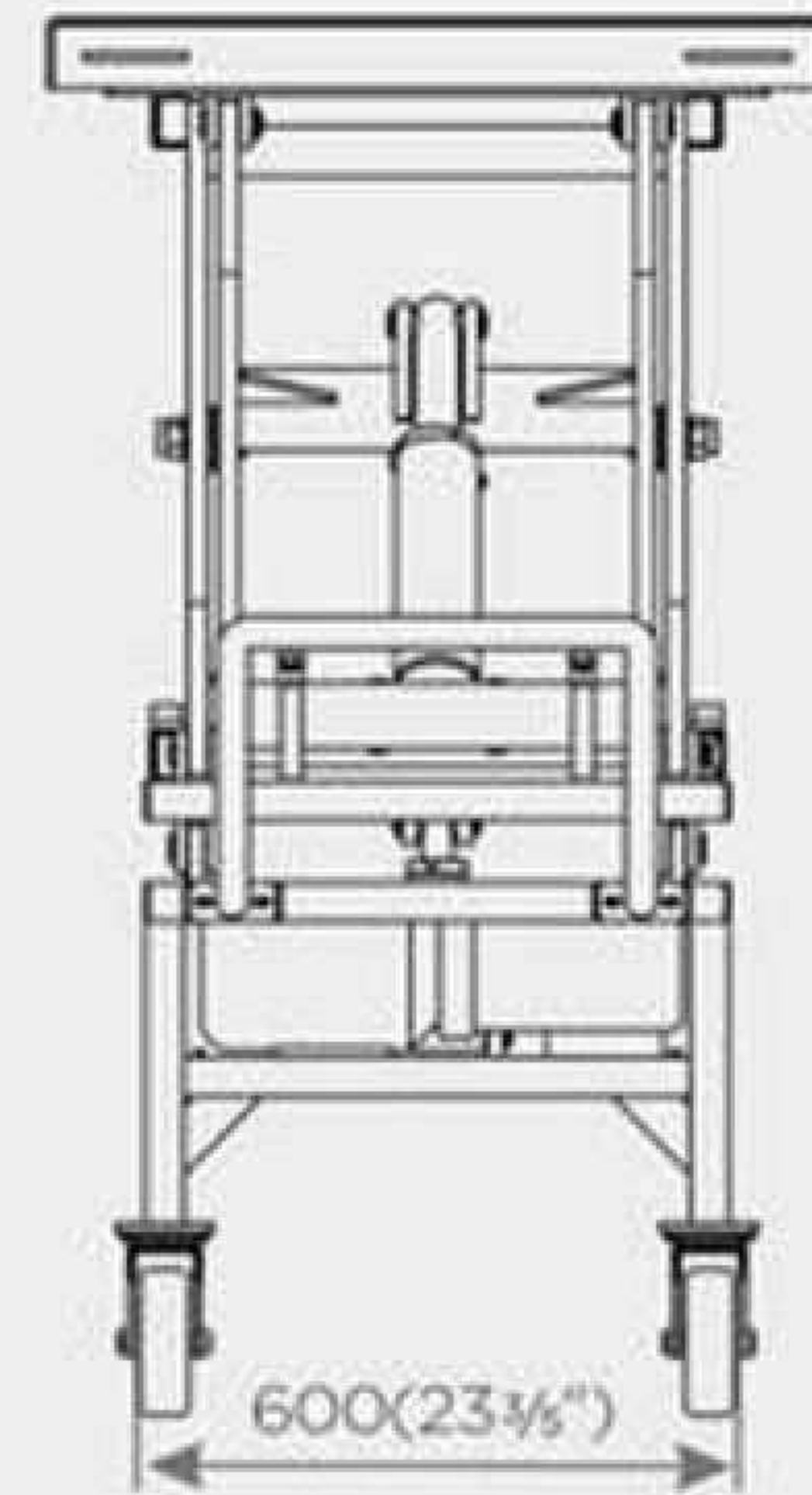
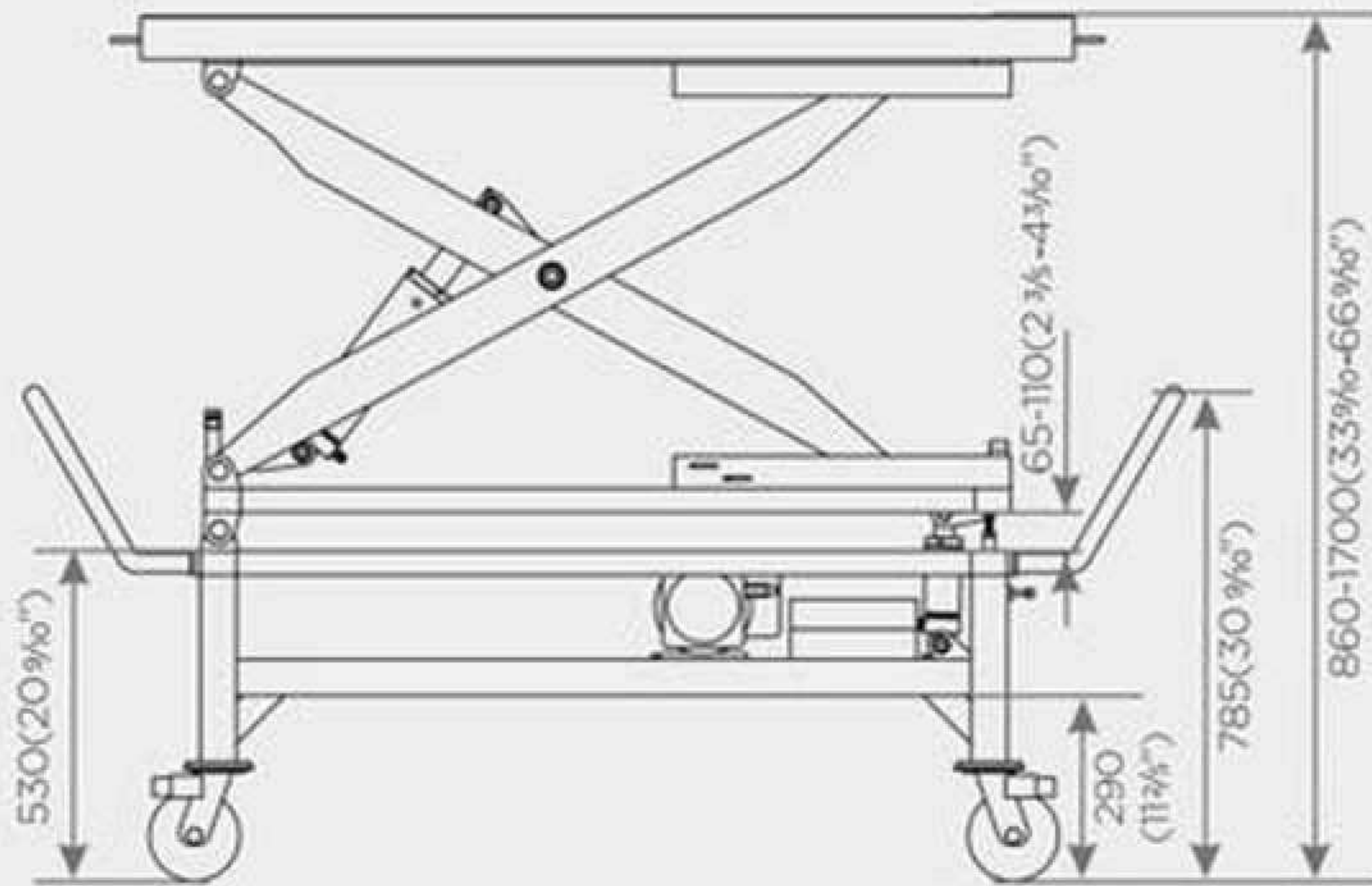
FEATURES

- The platform can be tilted in vertical directions
- Providing the height limit to ensure safe operation
- The platform can move horizontally by 25mm in any direction
- Easy to move with 4 universal self-locking casters on the base
- Electric hydraulic drives, 24v low voltage control
- Durable self-lubricating sliding blocks prolong the machine's service life
- Premium quality parts and components
- Covered with insulating rubber to ensure safe and non-slip operation
- 24 months warranty*

*Terms and conditions apply.

1.0 Tonne Vehicle Battery Lifting Table

VT-U-DP4B



TECHNICAL DATA

Capacity	1.0 Tonne
Lifting height	1700mm
Min height	860mm
Platform length	1550mm
Platform width	800mm
Power supply	220V 1PH 50Hz 0.75KW

Lifting time	< 30 seconds
Lowering time	< 30 seconds
Machine weight	335 Kg
Total length	1924mm
Total width	800mm